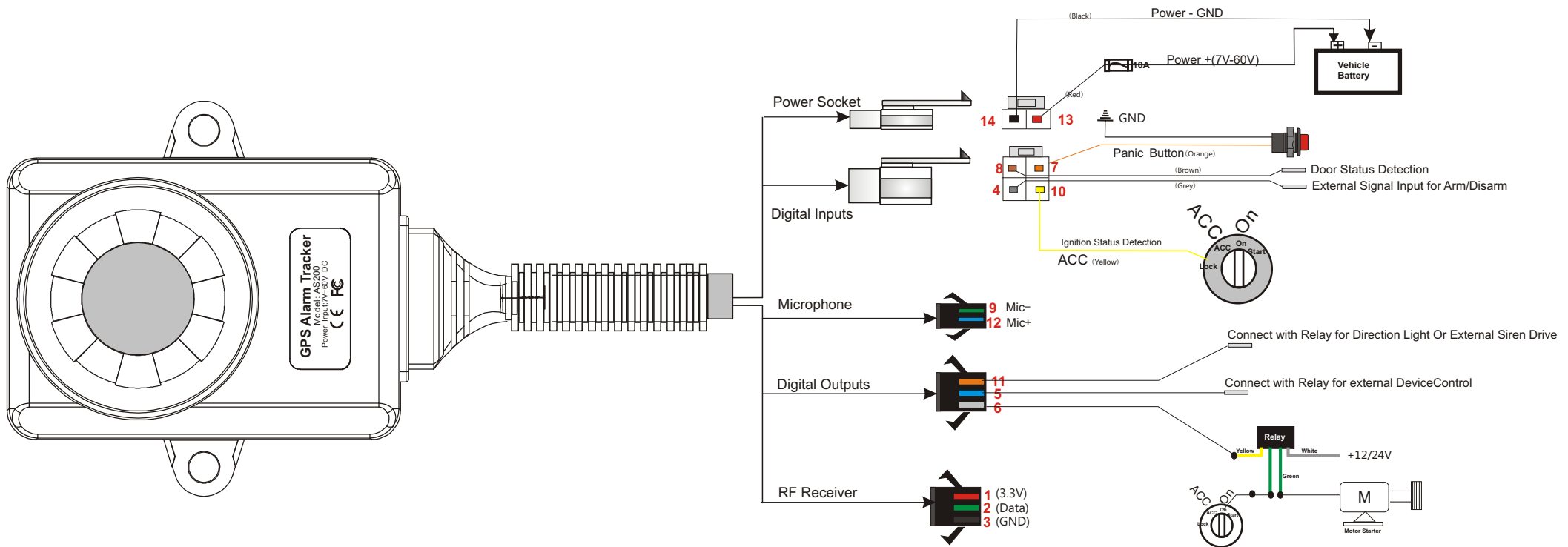


AS200 Wiring Diagram and Pin Slot Definition



| | | | |
|----------------|----|--------|-------------------------------------|
| Power | 13 | Red | Power positive pole, 8-60V DC |
| | 14 | Black | Power Ground |
| Digital Output | 11 | Orange | Direction Light Drive |
| | 5 | Blue | External Device Control |
| | 6 | Grey | Engine Immobilizer |
| Digital Input | 10 | Yellow | Ignition status Detection >5V |
| | 8 | Brown | Door Status(=0V: Open, >0V: Close) |
| | 7 | Orange | Panic Button(=0V:Open) |
| | 4 | Grey | Arm/Disarm Input signal |
| Microphone | 9 | Blue | Mic+ |
| | 12 | Green | Mic- |
| RF Receiver | 1 | Red | 3.3V Power |
| | 2 | Green | RF Data |
| | 3 | Black | Ground |