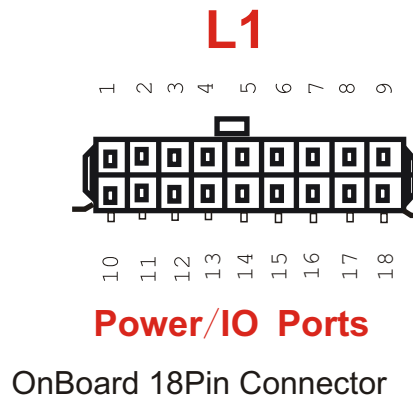
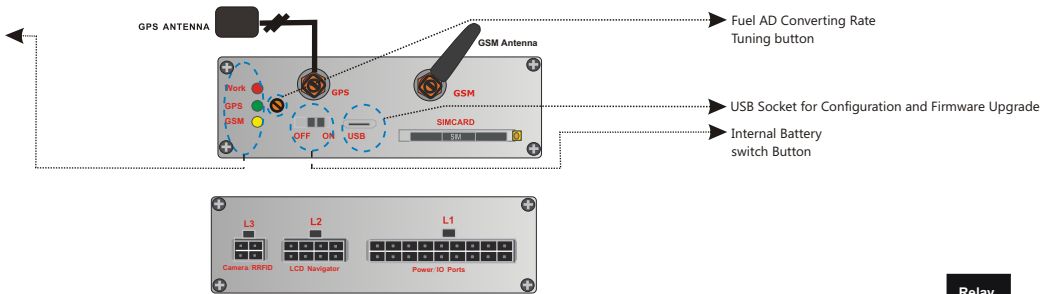


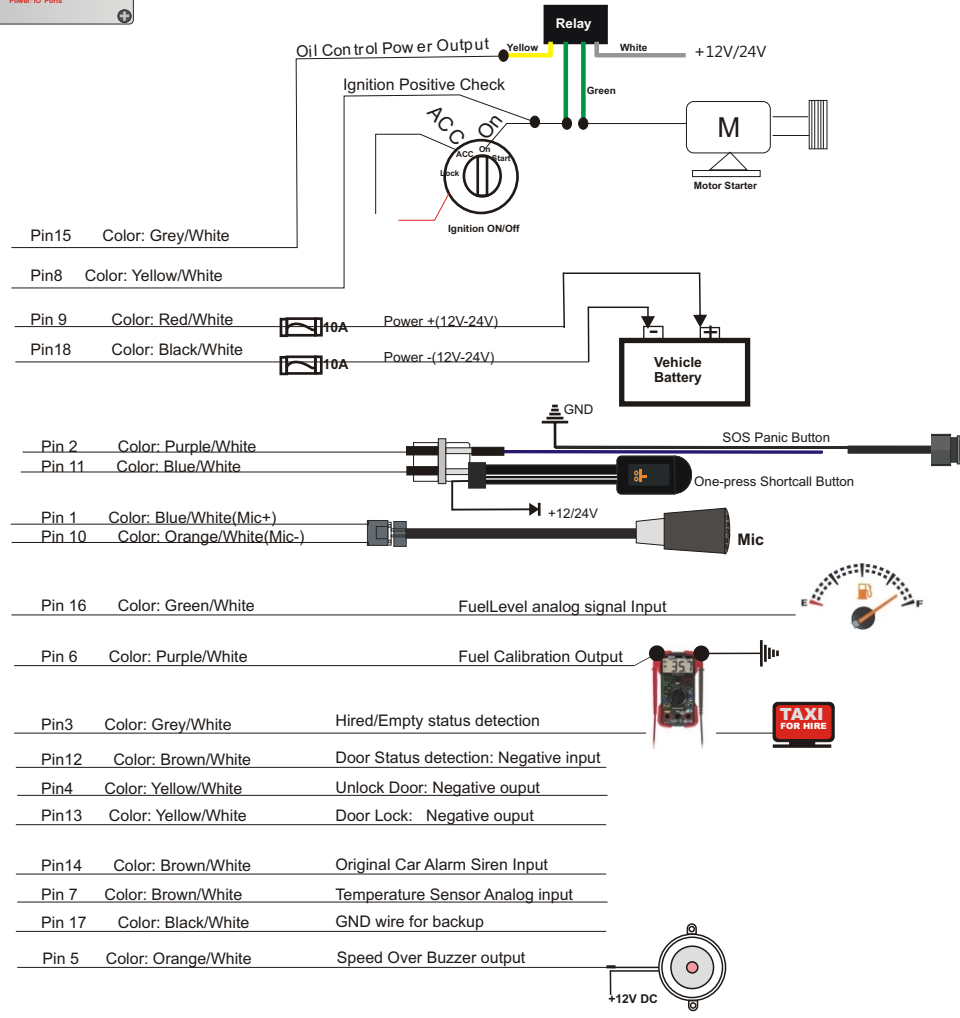
TS100 Installation Diagram

LED Indications:

- **GSM Light**
NO GSM Signal: Off
Registered Network: Blink
In GPRS: Blink fast
- **GPS Light**
Signal Searching: Blink
Positioned fix with valid GPS signal: Solid On
GPS Receiver Shutdown: Off
- **Work Light**
Power On: Solid on
Login GPRS: blink slowly



- | | | | |
|-----------------|--------------------|-------------------|--------------------|
| 1-Mic+ | 6- AD Calibration | 11- SOS | 16- Analog Input 2 |
| 2-High Input 2 | 7- Analog Input 1 | 12- Low Input 1 | 17- GND |
| 3- High Input 1 | 8- Ignition Detect | 13- Output 2 | 18- Analog GND |
| 4- Output 1 | 9- 9-36V Power+ | 14- Buzzer Output | |
| 5- Alarm Input | 10- Mic- | 15- Output0 | |



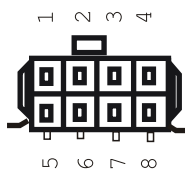
L3



Camera/RFID Reader
OnBoard 4Pin Connector

- 1- 5V 2- RX
3- GND 4- TX

L2



LCD Navigator
OnBoard 8Pin Connector

- 1- 5V DC 5- 12/24V DC
2- TX 6- GND
3- GPS output 7- RX
4- Speaker+ 8- Speaker-

Note:
RS-232/485 interface.
Backup for application

