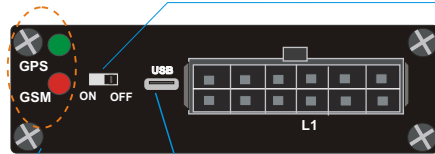
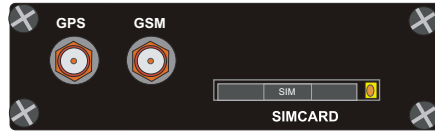


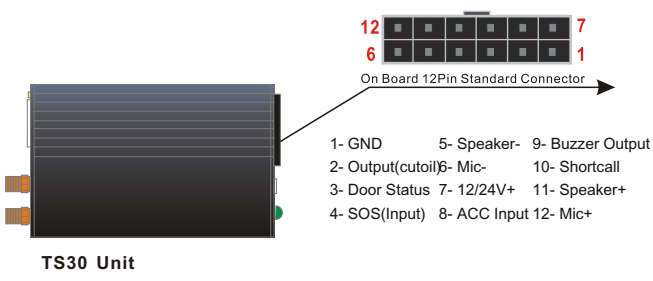
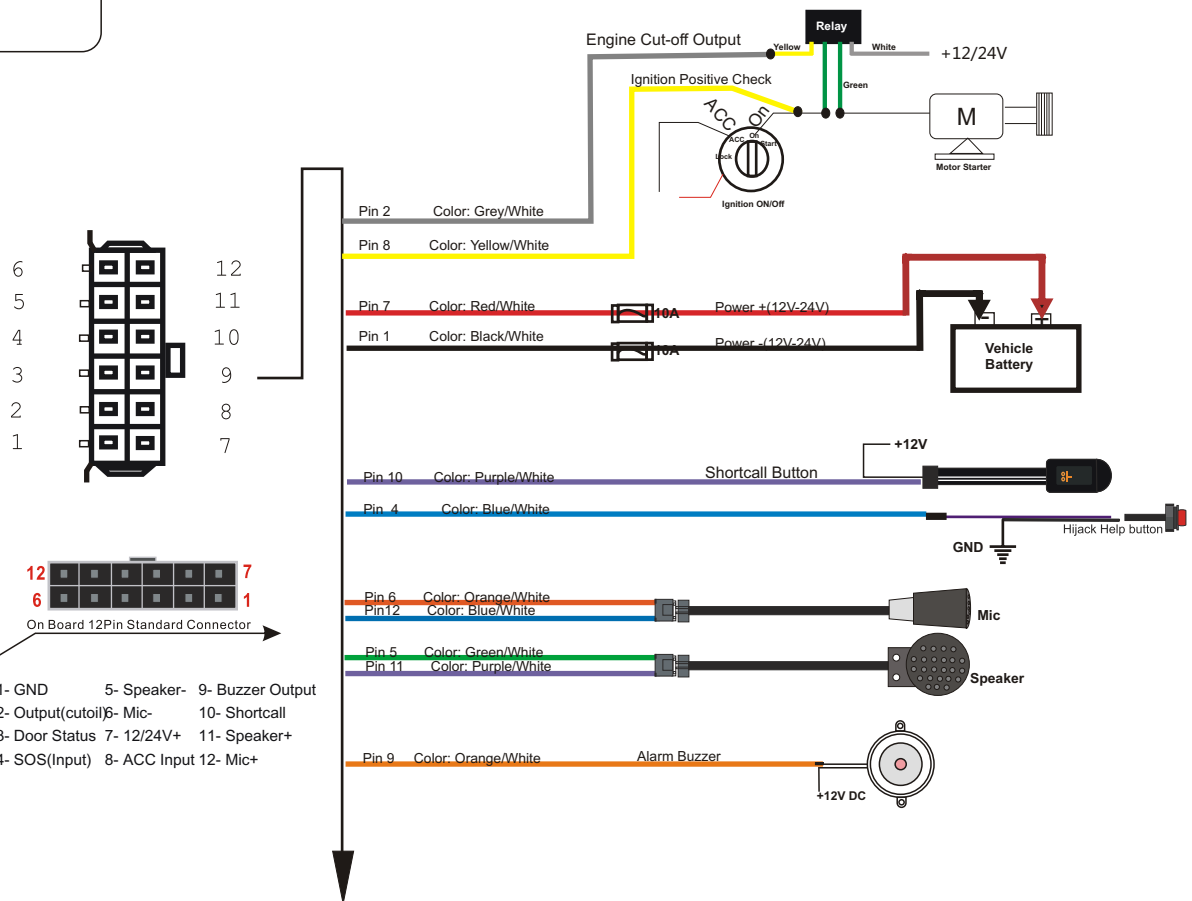
TS30 Installation



Internal Battery Switch
Make sure to switch it on after the wiring

USB Socket for:
- Device PC Configuration
- Firmware Upgrading

- **GPS Indicator:**
Slowing Flashing, in Searching GPS satellite Signal
Solid ON: Position fixed with valid Signal
- **GSM/Work Indicator:**
Network Register: Blink slowly
Login GPRS and send GPRS data: Blink fast
In Call out: Solid On
Receiving incoming Call: Off
Normal Sleep: Blink slowly
Deep Sleep: Solid ON



Note:

- Not all accessories are included inside the package. For those optional accessories, just keep them no connection if not applied;
- Necessary isolated is necessary before connect all interface.