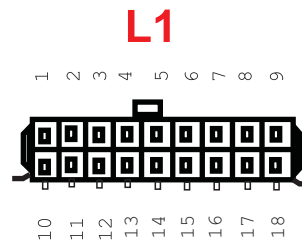
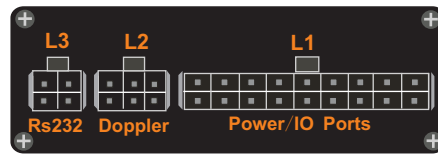
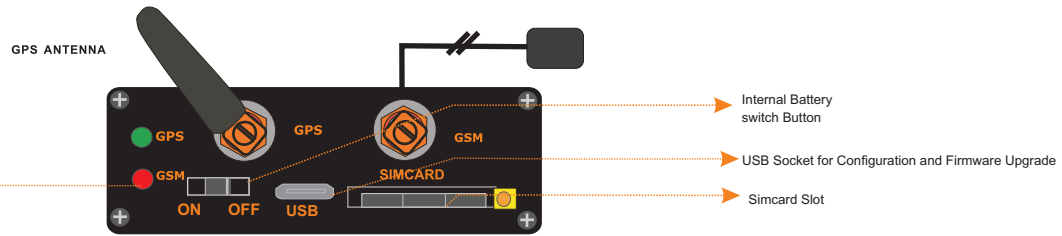


AS201 GSM/GPS Alarm Quick Installation Diagram

LED Indications:

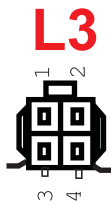
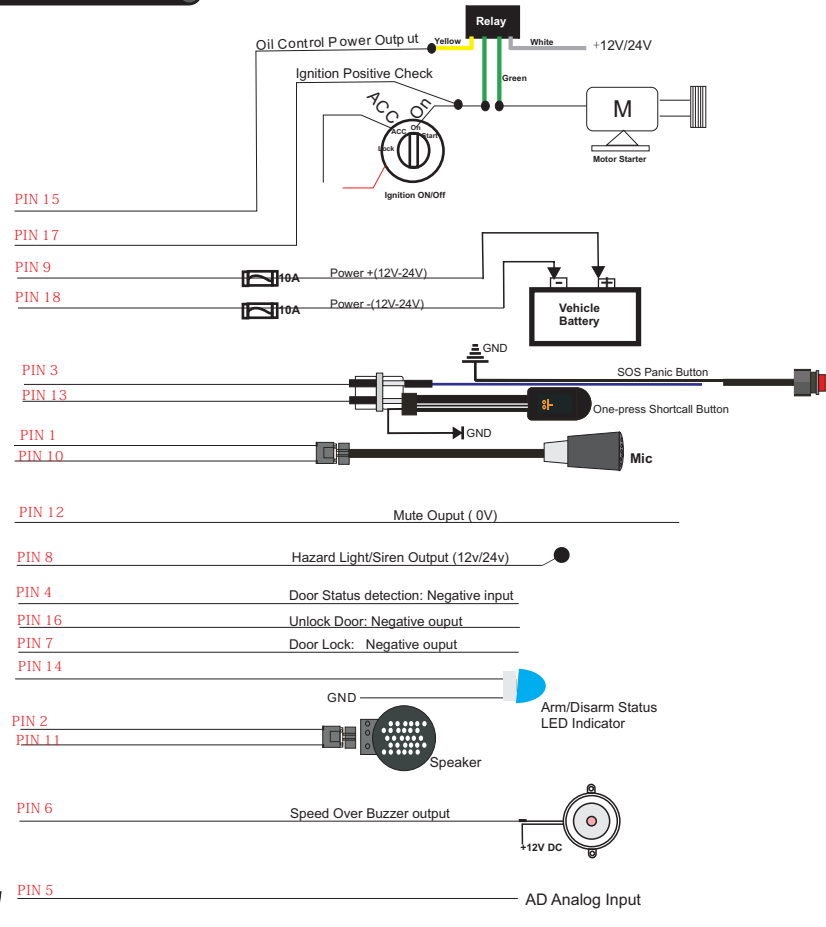
- GPS Light**
 - Solid ON when Power ON
 - Normal Working Blink once per 3Seconds
 - In GPRS: Fast Blink
- GSM Light**
 - Solid On when Power ON
 - Signal search: blink once every 3seconds
 - Position fix: Solid ON
 - Sleep Mode: Off



Power/IO Ports

OnBoard 18Pin Connector

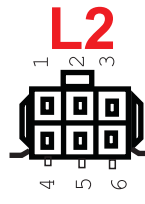
PinNO.	Definition
PIN1	Mic+
PIN2	Speaker+
PIN3	Panic
PIN4	Door Detection
PIN5	AD Input
PIN6	Buzzer
PIN7	Lock
PIN8	Siren/Harazard
PIN9	Power+ 12v/24v
PIN10	Mic-
PIN11	Speaker-
PIN12	Mute Output
PIN13	Call-Button
PIN14	LED+
PIN15	Cut-Fuel
PIN16	Unlock
PIN17	Ignition Status
PIN18	GND



Rs232

OnBoard 4Pin Connector

- 1- 5V 2- RX
- 3- GND 4- TX



Doppler Sensor/RF Receiver

OnBoard 6Pin Connector

- 1-GND 2-RF_data
- 3-3.3V RF Power 4-GND
- 5-Doppler_Data 6-12/24V Power